

6.0

5.0

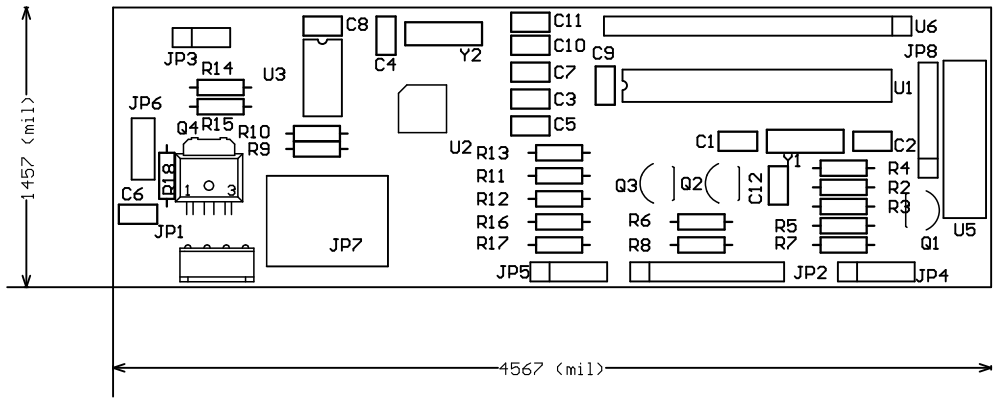
4.0

3.0

2.0

1.0

0



CAB			
ENGINEER: Jerry Han PHONE:	TITLE: USB LCD Controller		
ENGINEER: PHONE:	PART NO.:	REV: 01	DATE: 28-May-2003
FILE NAME: USB-873.PCB		LAYER: Mechanical Layer 4	GERBER: .GTO

1.0

2.0

3.0

4.0

5.0

6.0

7.0

